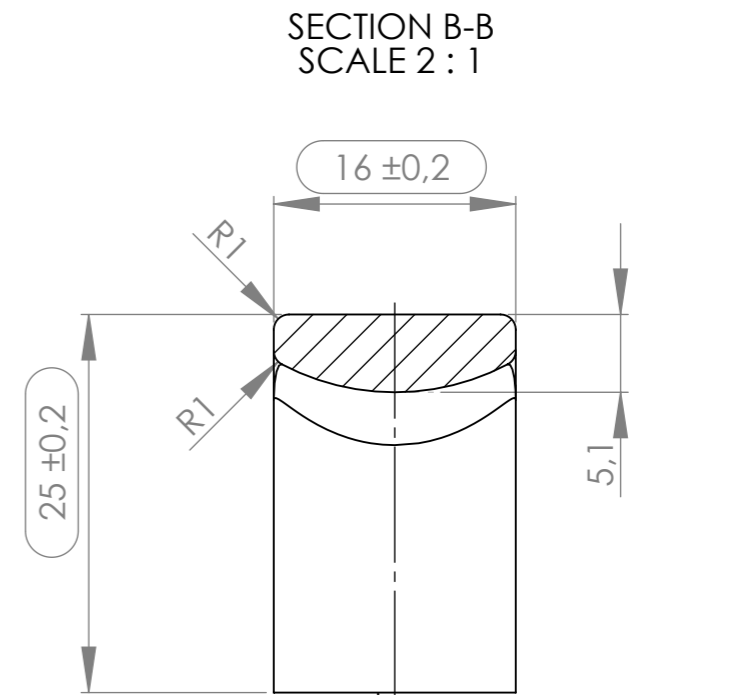
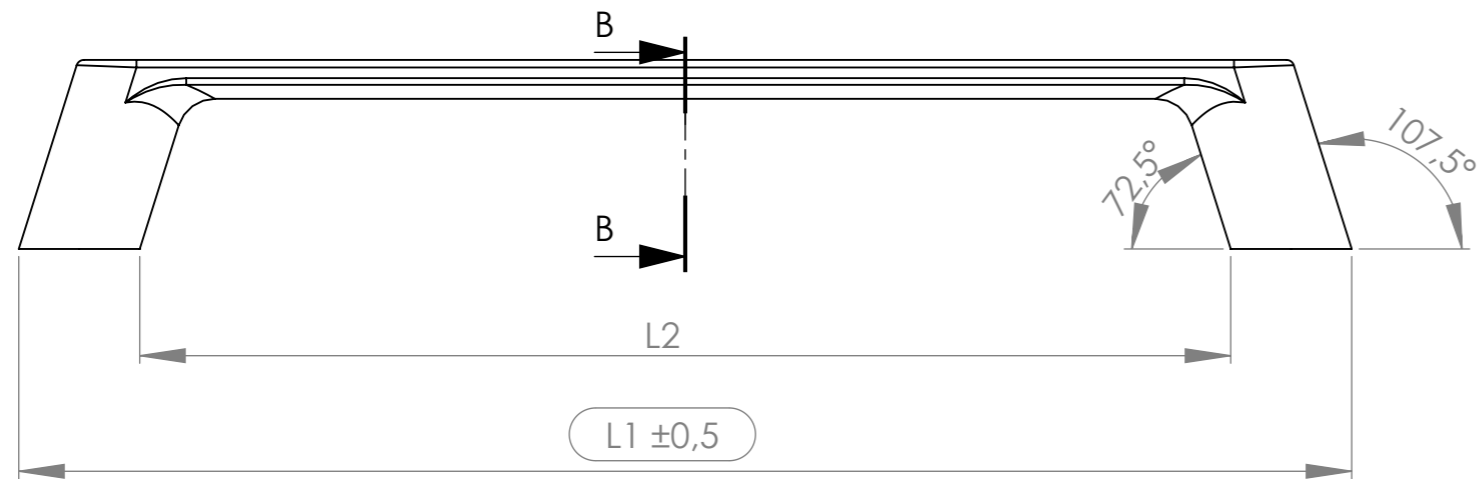


Flatness 0.1  
Machine milling of the feet must be done to avoid skewed feet



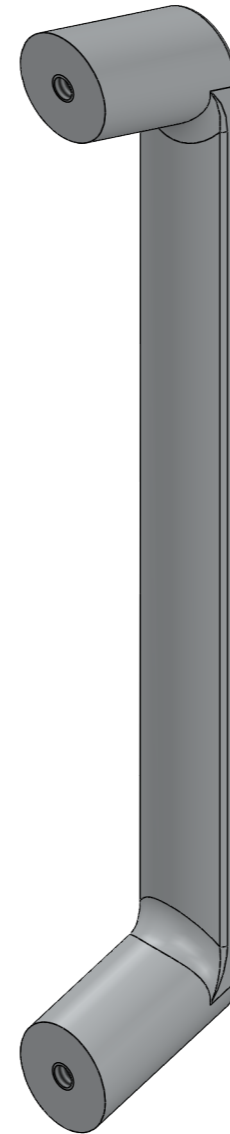
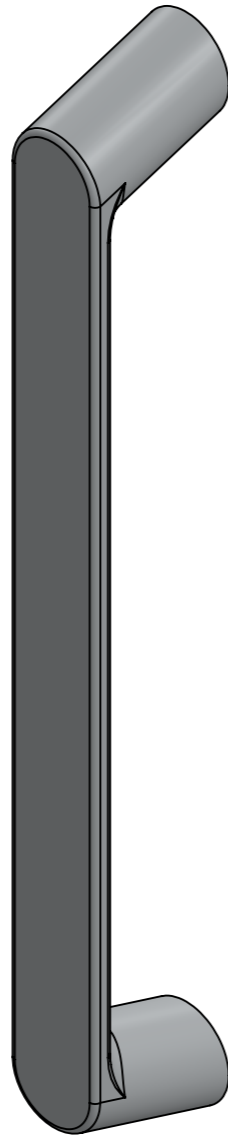
Flatness 0.1  
Machine milling of the feet must be done to avoid skewed feet





Part name: <b>LIGHT</b>	Projection: 	Sheet format: <b>A3</b>	Tolerance unless otherwise specified DS/ISO 2768-1M Linear dimensions: 0-3 ± 0.1 3-6 ± 0.1 6-30 ± 0.2 30-120 ± 0.3 120-400 ± 0.5 400-1000 ± 0.8 1000-2000 ± 1.2
Customer:	Drawn by: PS date 30-10-2014	Scale: <b>1:1</b>	
Part no.: <b>428420xxx</b>	Page 1 of 2	Weight: grams	Angle ± 0.5° Radius ± 5%
Material: <b>Aluminium</b>	<b>furnipart®</b> Delta 2 DK-8382 Hinnerup Phone: +45 87 64 35 00 Fax: +45 87 64 35 01		
COPYRIGHT: THIS DRAWING MAY NOT BE COPIED OR REPRODUCED IN ANY WAY WITHOUT DIRECT PERMISSION FROM FURNIPART A/S			

PART NO.	C/C	L1	L2
428420096	96	112,3	80,3
428420160	160	176,3	144,3

Rev.:	Date:	Name:	Description:
B	17-07-2019	IKR	Length added
A	30-10-2014	PS	Initial release



Rev.:	Date:	Name:	Description:
B	17-07-2019	IKR	Length added
A	30-10-2014	PS	Initial release

Part name: <b>LIGHT</b>	Projection: 	Sheet format: <b>A3</b>	Tolerance unless otherwise specified DS/ISO 2768-1M Linear dimensions: <table border="1"> <tr> <td>0-3</td> <td>3-6</td> <td>6 - 30</td> <td>30- 120</td> <td>120- 400</td> <td>400- 1000</td> <td>1000 - 2000</td> </tr> <tr> <td>± 0.1</td> <td>± 0.1</td> <td>± 0.2</td> <td>± 0.3</td> <td>± 0.5</td> <td>± 0.8</td> <td>± 1.2</td> </tr> </table>	0-3	3-6	6 - 30	30- 120	120- 400	400- 1000	1000 - 2000	± 0.1	± 0.1	± 0.2	± 0.3	± 0.5	± 0.8	± 1.2
0-3	3-6	6 - 30		30- 120	120- 400	400- 1000	1000 - 2000										
± 0.1	± 0.1	± 0.2	± 0.3	± 0.5	± 0.8	± 1.2											
Customer:	Drawn by: <b>PS date 30-10-2014</b>	Scale: <b>1:1</b>	<table border="1"> <tr> <td>Angle</td> <td>Radius</td> </tr> <tr> <td>± 0.5°</td> <td>± 5%</td> </tr> </table>	Angle	Radius	± 0.5°	± 5%										
Angle	Radius																
± 0.5°	± 5%																
Part no.: <b>428420xxx</b>	Material: <b>Aluminium</b>	Page 2 of 2	 Delta 2      Phone: +45 87 64 35 00 DK-8382 Hinnerup      Fax: +45 87 64 35 01														
Weight: <b>grams</b>	COPYRIGHT: THIS DRAWING MAY NOT BE COPIED OR REPRODUCED IN ANY WAY WITHOUT DIRECT PERMISSION FROM FURNIPART A/S																